



Flex Bolt Seal

BOLT SEAL

The Flex Bolt Seal is a high security bolt seal which consists of a flexible bolt, with non-preformed cable, and a plastic-coated steel locking chamber. Flex Bolt seals are designed for ISO containers and high value cargo shipments.



APPLICATIONS

- Truck & Trailer Doors
- Intermodal Containers
- Box Car Doors

FEATURES

- ISO 17712: 2013 and C-TPAT compliant
- Flexible bolt removed with cable cutters
- No sharp points that can cause tire punctures
- Non-preformed cable unravels when cut to reveal tamper evidence
- Locking insert spins freely to confirm integrity
- Metal locking end encased, consecutively umbered, colored body
- 'H' on bottom of body base indicating 'High Security'

MATERIAL

- Body: ABS plastic on locking case
- Bolt: Galvanized Aircraft Cable
- Tip & head made from carbon steel with zinc chromate finish

DIMENSIONS

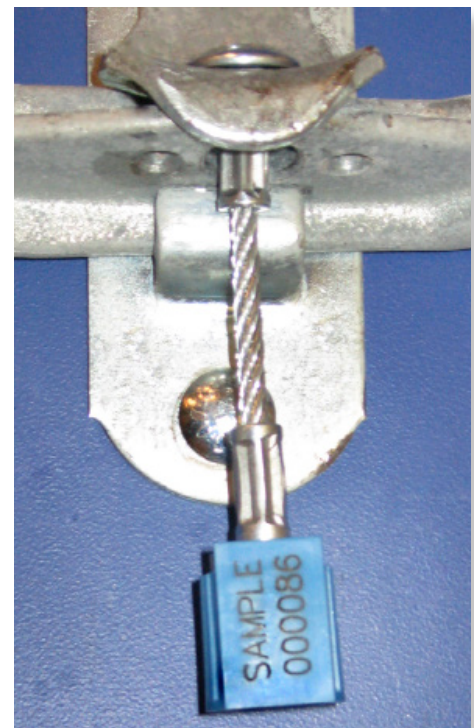
- Diameter: 3/16" Galvanized 7x7 aircraft cable
- Length: 4" (102mm)

STRENGTH CHARACTERISTICS

- Average pull-apart force is 3,480 lbs (1.15 kN)

MARKING/PRINTING

- Heat stamping on all colors
- Laser barcode marking also available (white or yellow seals)



Flex Bolt Seal

STANDARD COLORS

Locking case:

Red / Blue / White / Green / Yellow / Orange



Non-standard colors available (minimum quantities apply).

PRODUCT NUMBERS

51101101-XX - Flex Bolt, heat stamped locking end.

*Note: XX denotes color selection

PACKAGING

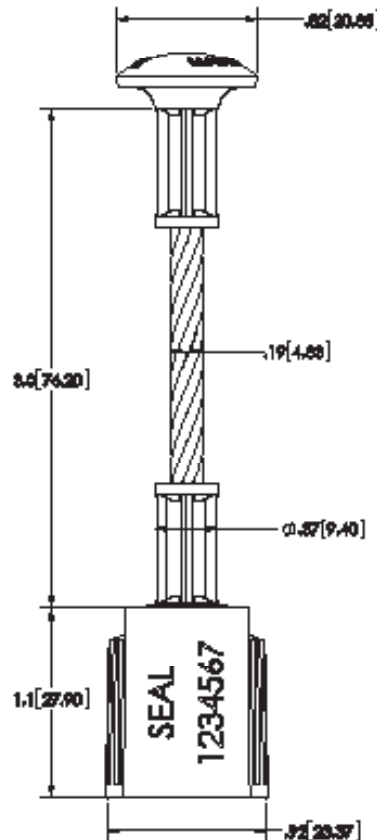
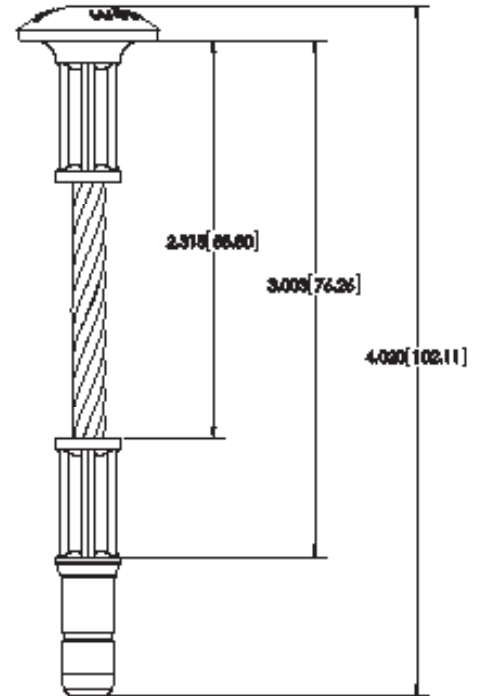
Standard Packaging: 10 Bolts/Bag

10 Locking Ends/Bag

250 Seals per Carton

Carton Dimensions: 11" x 11" x 7" (28cm x 28cm x 18cm)

Carton Weight: 47 lbs (22 kg)



PEOPLE'S CHOICE AWARD FOR MOST INNOVATIVE PRODUCT

Flex Bolt 15V1



PO BOX 3065 TULSA, OK 74101-3065 800-747-7307 • 800-611-8481

www.BudcoSecuritySeals.com

