



# Spring-Lok® Seal



The Spring-Lok is a self-locking, tamper indicating plastic seal with a unique hinge design.

## APPLICATIONS

- Electric Meters
- ATM Cassettes
- Tool Boxes
- Pouches
- Zippered Money Bags
- Carts

## FEATURES

- Easy to close; one handed operation.
- Plastic body blushes if tampered with.
- Quick and easy removal by twisting at break-point on spear.
- Available with slit donut/stringing hole.
- Offered in other varieties: long shaft, dual use or economy.

## MATERIAL

- Polypropylene

## DIMENSIONS

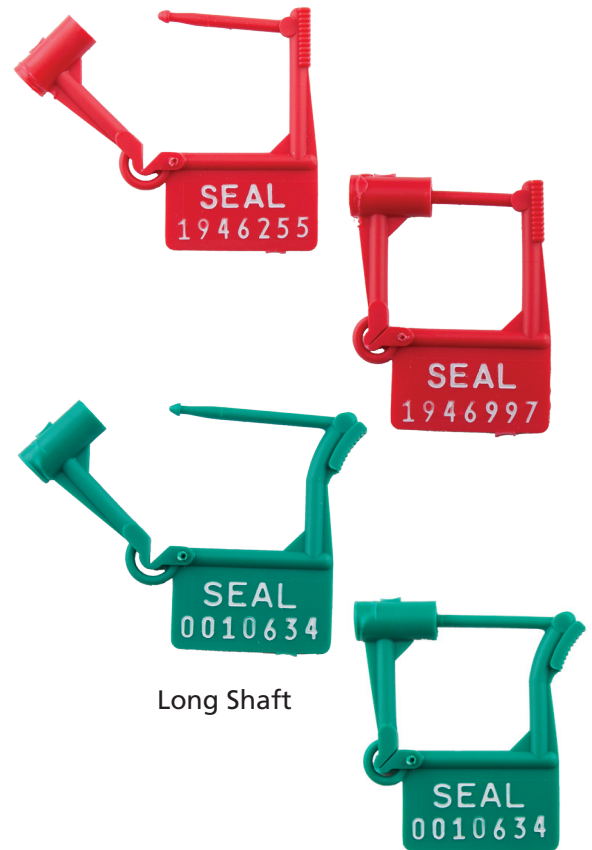
1.54" (39mm) x 1" (25mm)

## STRENGTH CHARACTERISTICS

Average pull apart force is 8 lbs (3.5 kg)

## MARKING/PRINTING

- Heat stamped with company name (max. 12 letters) and consecutive numbers (max. 7 digits)



Seals shown not actual size.

# Spring-Lok® Seal



## STANDARD COLORS

Red / Green / Blue / Orange / Gray / Yellow / Maroon / Black /  
White / Purple / Dark Blue / Dark Green



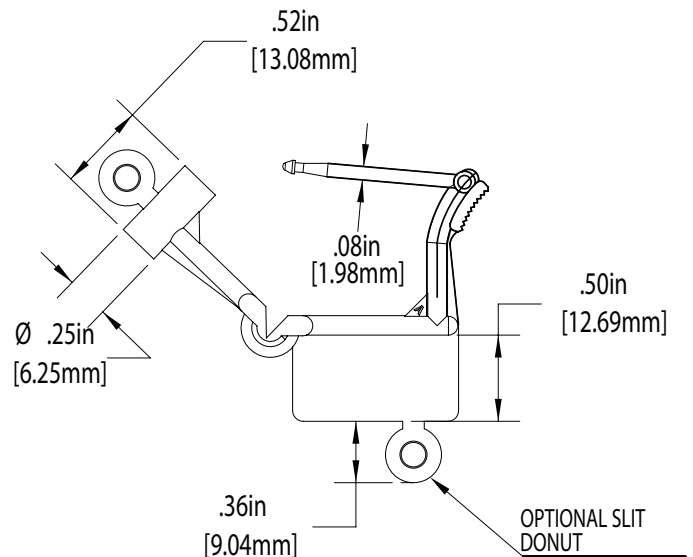
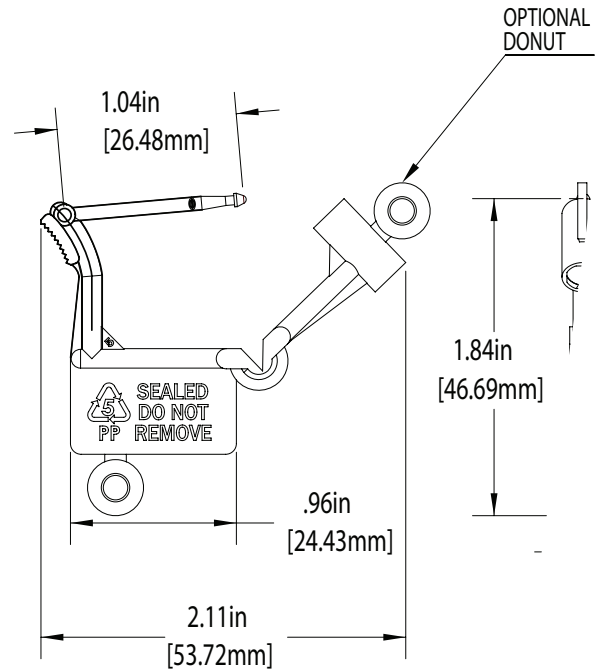
## PACKAGING

- Standard Packaging: 1,000/Box – 5,000/Carton
- Carton Dimensions: 28" x 15" x 10" (71cm x 38cm x 25cm)
- Carton Weight: Gross: 21 lbs (10 kg) Net: 16 lbs (7 kg)
- Special Packaging:
- 50/Polybag – 2,500/Carton
- 100/Polybag – 2,500/Carton

## PATENT NUMBERS

- 6300000-X – Heat stamped, custom numbered
- 6302000-X – Heat stamped w/ slit donut, custom numbered
- 6300500-X – Long shaft, heat stamped, custom numbered
- 6302500-X – Long shaft, heat stamped w/ slit donut, custom numbered
- 6300200-X – Dual use, heat stamped, custom numbered
- 6302200-X – Dual use, heat stamped w/ slit donut, custom numbered
- 6380000-3 – Economy, molded with logo only, blue
- 6309999-4 – 4" (102mm) stringing ring
- 6309999-6 – 6" (152mm) stringing ring

Note: X denotes color selection



Spring-Lok\_11V2

